

SPECIFICATIONS

Rated Current: 0.75AMP
 Contact Resistance: 20mΩ Max
 Withstand Voltage: 500V AC/DC
 Insulation Resistance: 1000MΩ Min
 Operation Temperature: -40°C to +105°C

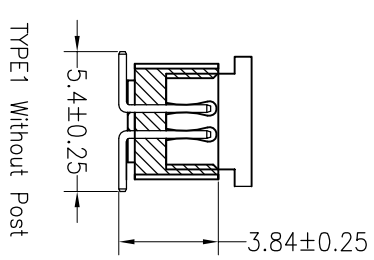
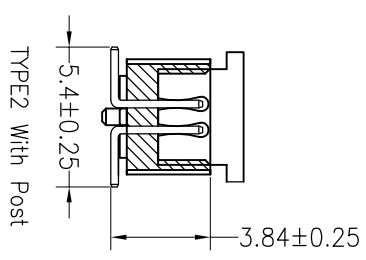
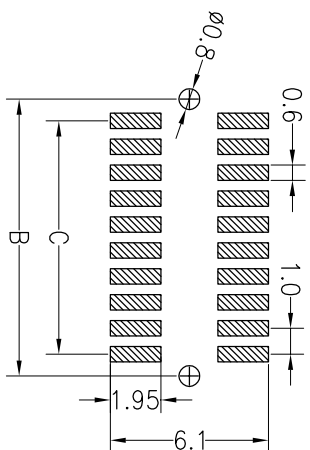
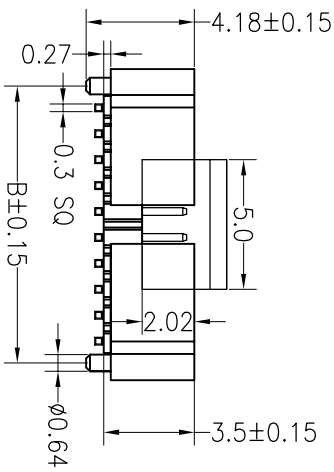
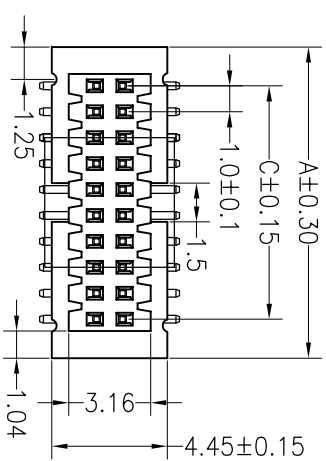
Contact Material: Brass
 Contact Plating: Au or Sn Over Ni
 Insulator Material: Polyester (UL94V-0)
 Standard: LCP
 Max. Processing Temp: 230°C for 30-60 seconds
 (260°C for 10 seconds)

NO OF CONTACT	DIMENSIONS		
	A	B	C
10P	7.00	5.68	4.00
16P	10.00	8.68	7.00
20P	12.00	10.68	9.00
40P	22.00	20.68	19.0
64P	34.00	32.68	31.0

Ordering Information

3251 XX M XX X B K00 X 0X(1,2)

No. of Pins: 10, 16, 20, 40, 64P
 Contact Plating: G0: Gold Flash, G1: 30" Gold, G2: 5U" Gold, G3: 10U" Gold, G4: 15U" Gold, G5: 30U" Gold, S0: Gold Flash/Tin, SN: Tin
 Insulator Material Option: A=BK-PBT, C=BK-PA6T, D=BK-PA46, E=BK-PA9T, F=BK-LCP
 Packing: A=Troy, T=Tube, P=Tube+Cap, R=Reel+Cap



OPERATION		DRAW		SCALE		FIT		TITLE:	
X.X	±0.30	Yiyusheng	18.08.20	UNIT	mm	A4	1/1	PART NO.	3251XXNXXBK00X01(2)
X.XX	±0.20	CHECK		SIZE				SHEET	1/1
X.XXX	±0.10			SHEET				PROU.	
Angle	±3°	APPROVE							
DIM	TOL								

JILIN 深圳市锦凌电子有限公司
 SHENZHEN JINLING ELECTRONIC CO.,LTD
 Tel: 86-755-2997-5806/5802 Fax: 86-755-2997-5892

1.0mm Box Header Npin H3.5 SMT
 L=5.4mm with cap